

# DELCDRAINS

## DELCDRAIN FD-12000 SERIES SPECIFICATION SHEET

### GENERAL:

The drainage system shall be DELC SS Floor Drain, FD-12000 Series. DELC Floor Drains are CFIA/USDA approved, sanitary and corrosive resistant, load rated for heavy equipment use.

### MATERIALS:

T304 Stainless Steel or T316 Stainless Steel

### OPTIONAL ITEMS:

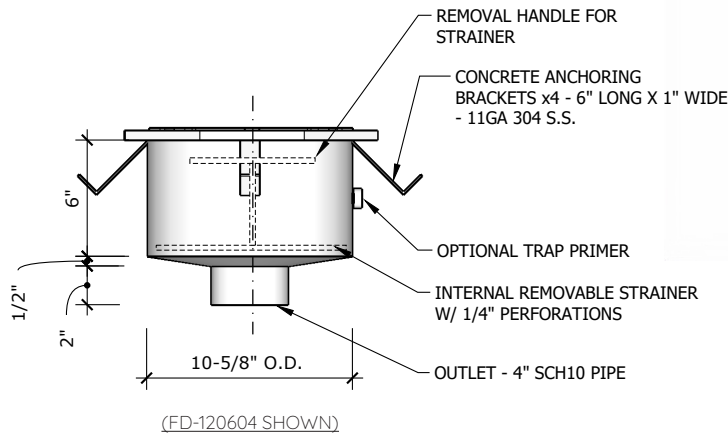
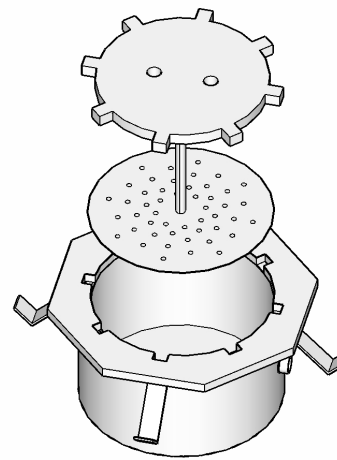
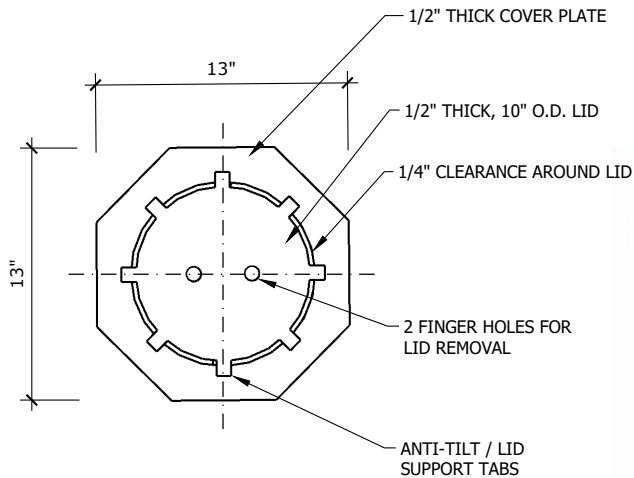
HF High Flow DELC Lid  
TP Trap Primer

### LOAD CLASS:

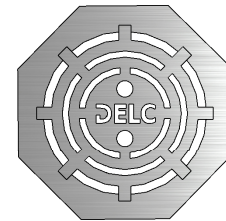
Load Class E - Forklift Rated

### INSTALLATION:

The DELC Floor Drain shall be installed in accordance with the manufacturer's installation instructions and recommendations.



### OPTIONAL HIGH FLOW LID



### DESCRIPTION

FD-12000 Series

### DRAIN BODY DIAMETER

10"

### DRAIN BODY DEPTH

4", 6", 12", OR CUSTOM

### OUTLET DIAMETER

4" OR CUSTOM

### OPTIONAL ITEMS

HIGH FLOW LID  
TRAP PRIMER